

Item No.: 4017.3 (MOON 17), 4022.3 (MOON 22), 4027.3 (MOON 27)

LED: MOON PHILIPS Fortimo LED

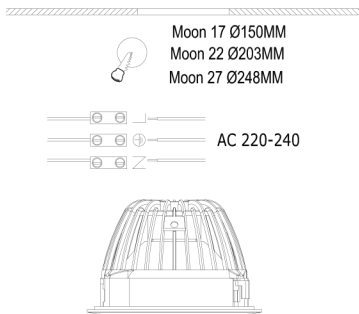
Notice:

1. This fixture works under condition of AC220V - 240V / 50~60Hz power input.
2. Don't replace any accessory under working in order to avoid falling, electric shock or fire, etc.
3. Ensure a distance of 75mm away from the fixture for the sake of air ventilation and their use should obey all fire regulations.
The distance between the fixture and the lighted object must be 800mm at least.
4. Don't touch the lamp when in use.
5. Don't be covered by adiabatic material at any time.

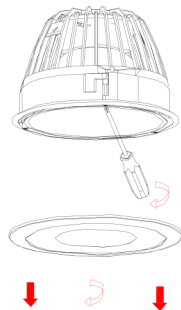
Please refer to qualified engineer if any other questions about the manual

Instruction:

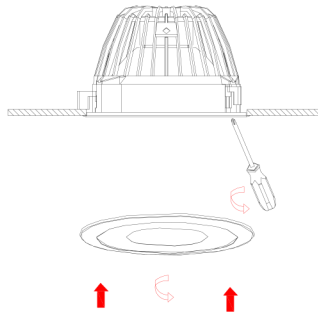
1. Turn off the power supply.
2. Connect the wire correctly. (See step 1)
3. Take out the ring and loose the ceiling clip. (See step 2)
4. Install the downlight into the ceiling and tighten the ceiling clips. Put back the ring. (See step 3)
5. Installation Completed. (See step 4)



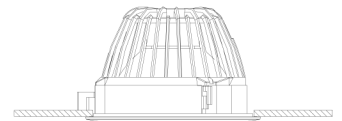
1. CONNECT THE WIRES ACCORDING TO THE PICTURE.



2. Rotate the ring anticlockwise. Loose the three ceiling clips by screwdriver.



3. Put the downlight into the ceiling. Tighten the three ceiling clips by screwdriver and rotate the ring back.



4. Installation completely.